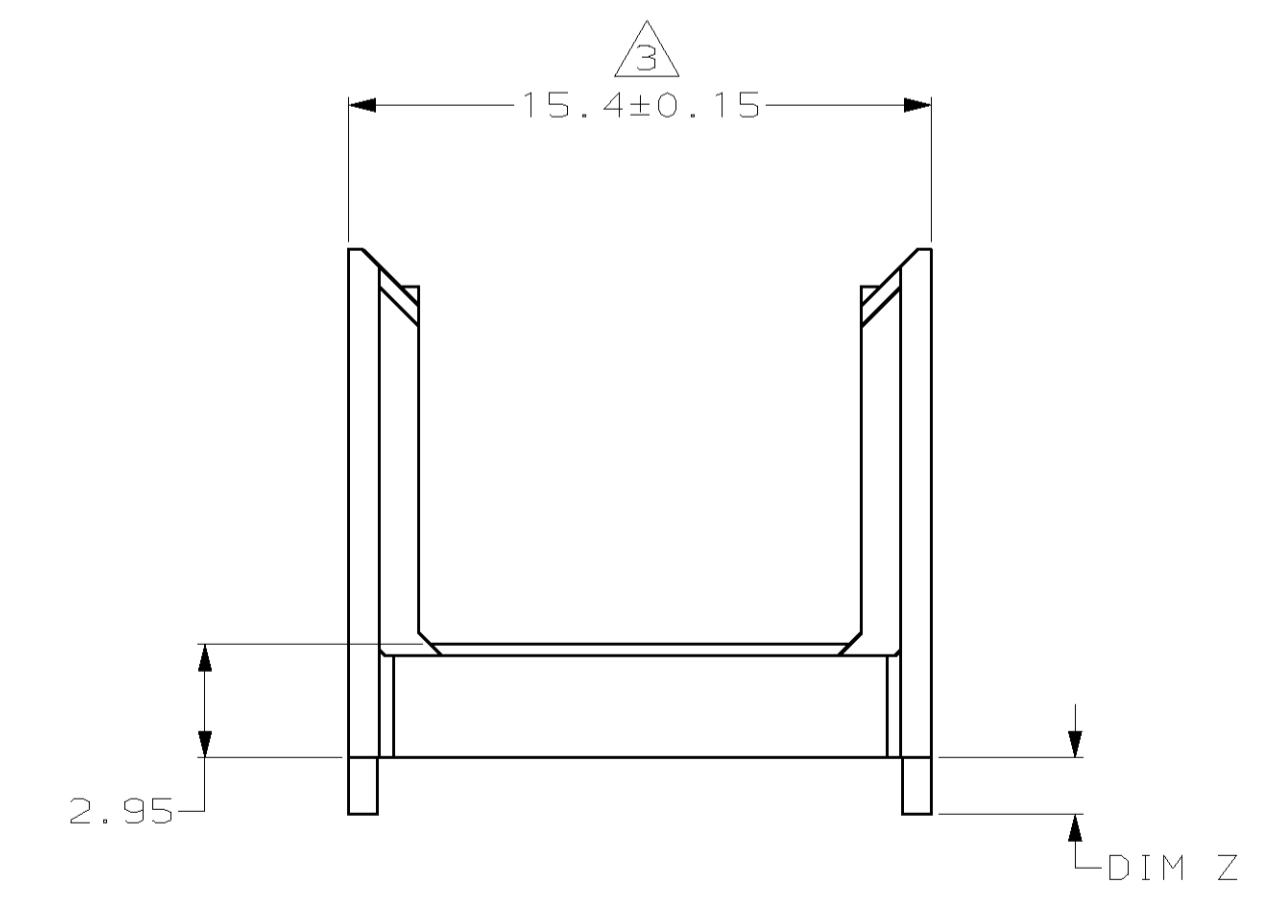
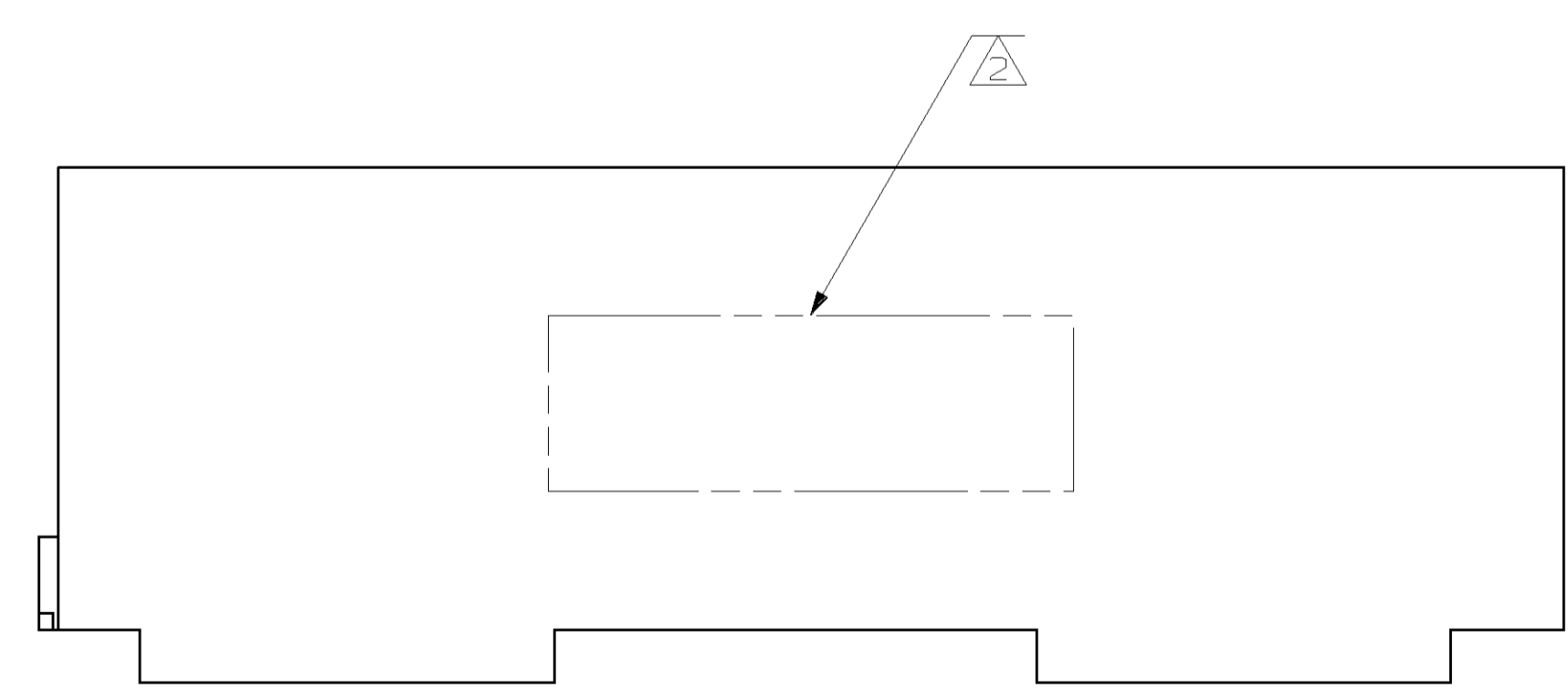
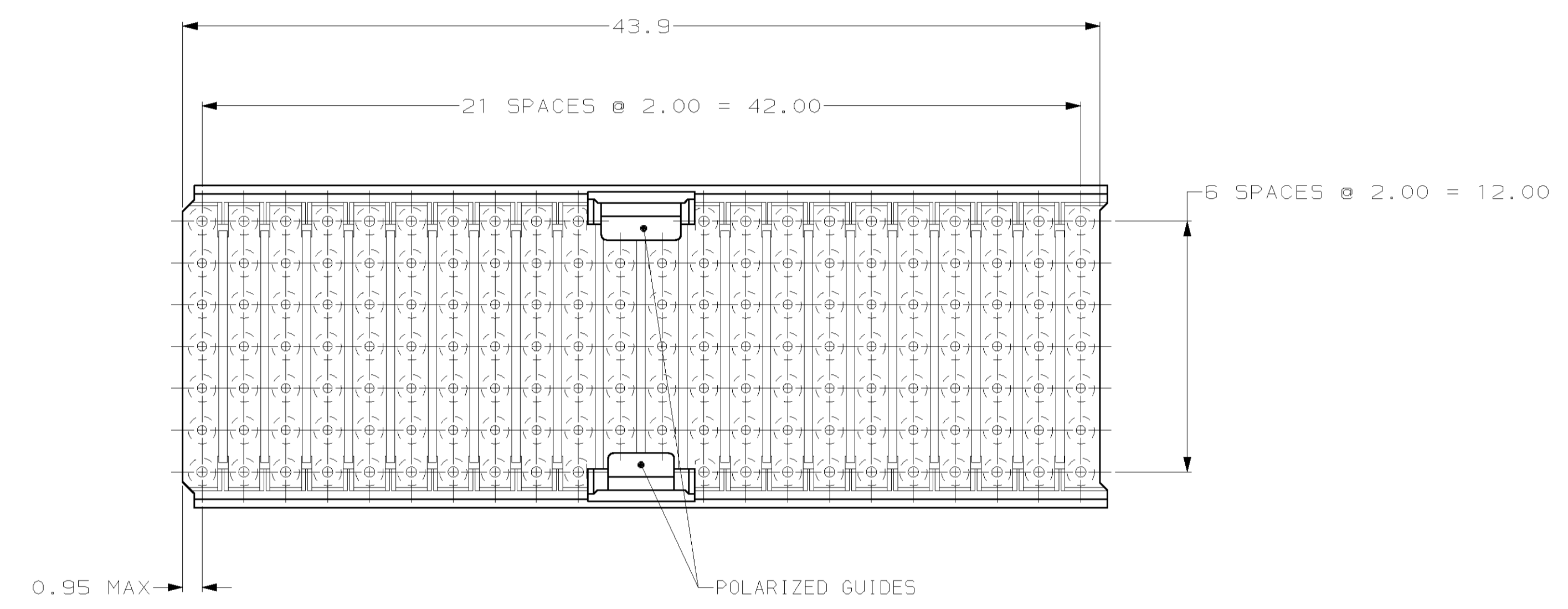
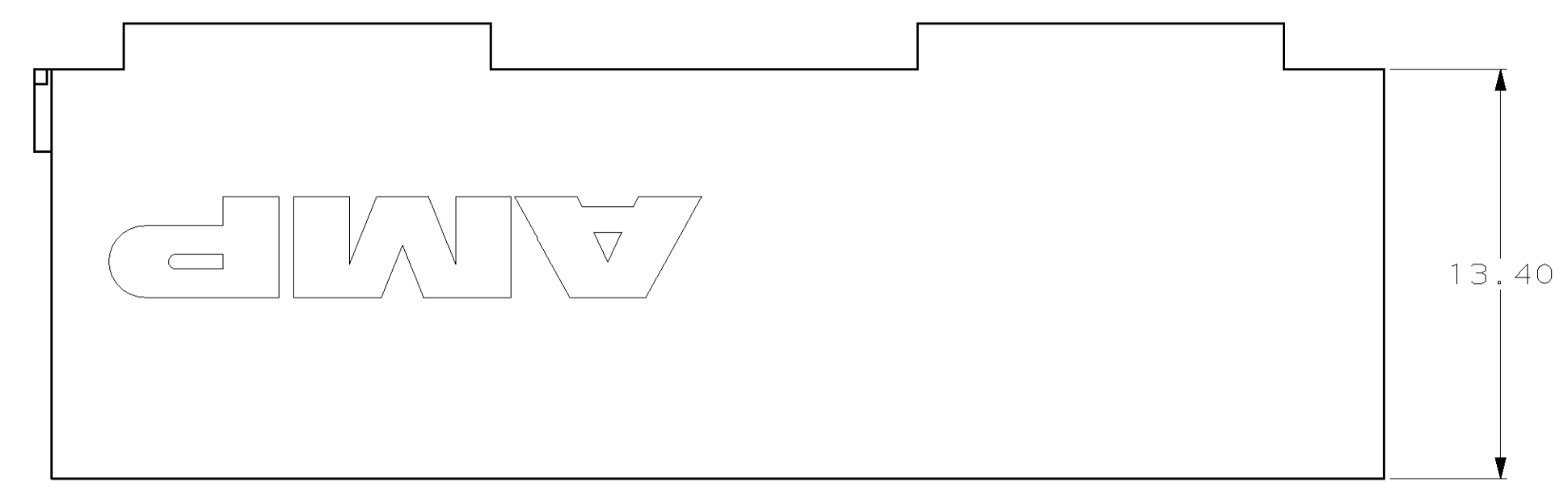


LOC	DIST	REVISIONS			
F	CHR	DESCRIPTION	DATE	ENR	APVD
B		REVISE PER ECN 0U1B-0389-00	22JAN01	SU	RP
C		REV PER EC 0U1B-0192-01	27 JUN 01	BC	RP

- ① MATERIAL: GLASS FILLED POLYESTER.
- ② PART NUMBER MARKED IN APPROXIMATE AREA SHOWN.
- ③ TO BE MEASURED AT BASE OF SHROUD.



1.90	646484-7
1.70	646484-6
1.50	646484-5
1.30	646484-4
1.10	646484-3
0.90	646484-2
-----	646484-1
DIM Z	PART NUMBER

THIS DRAWING IS A CONTROLLED DOCUMENT.

DW	T. SHUEY	6-9-98
CHK	G. SKIPPER	11-23-98
APVD	G. SKIPPER	11-23-98
NAME	SHROUD, A-B, Z-PACK 2mm HM, 5 ROW, 150 POSITION, WITH GUIDE	
PRODUCT SPEC	APPLICATION SPEC	
SIZE	A1	00779
CAGE CODE	646484	
DRAWING NO	646484	
RESTRICTED TO	CUSTOMER DRAWING	
SCALE	5:1	SHEET 1 OF 1
REV	C	

AMP Incorporated
 Harrisburg, PA 17105-3608